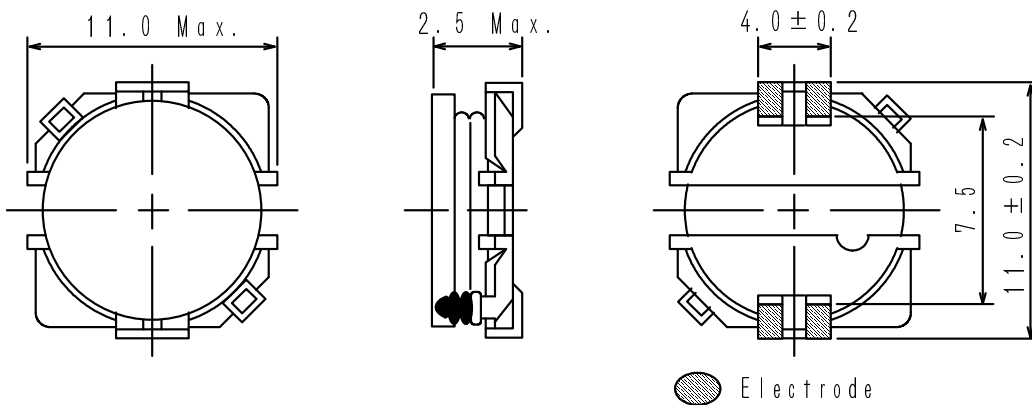
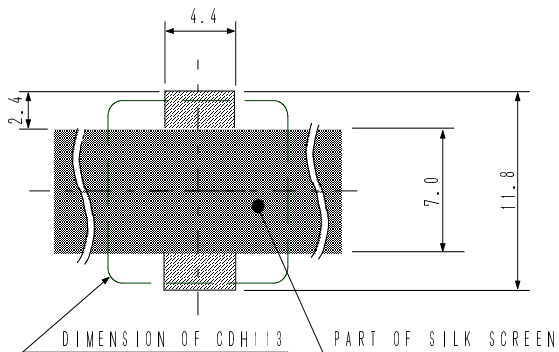
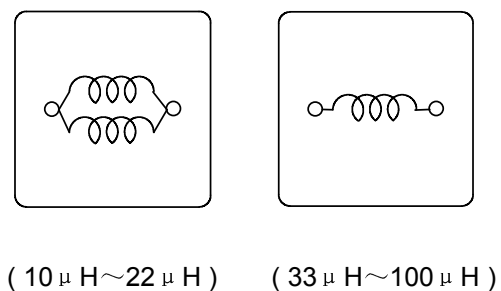


Type: CDH11D23/HP
◆ Product Description

- 11.0×11.0mm Max.(L×W),2.5mm Max. Height.
- Inductance range: 10~100 μ H.
- Rated current range: 0.64~2.3A.
- In addition to the standard versions of inductors shown here, custom inductors are available to meet your exact requirements.


◆ Feature

- Magnetically unshielded construction.
- Storage temperature range: -40°C~+105°C.
- Operating temperature range: -40°C~+105°C (Including coil's self temperature rise).
- Ideally used in LED backlight, DVD, LCD TV ,Game machine, Projector etc as DC-DC converter inductors.
- Product weight: 1.015g (Ref.).
- RoHS compliance and Halogen Free.

◆ Dimensions (mm)

◆ Land Pattern (mm)

◆ Schematics (Bottom)


Type: CDH11D23/HP
◆ Specification

Part Name ※	Stamp	Inductance (μ H) 100kHz/1V	D.C.R. (m Ω) Max.(Typ.) (at 20°C)	Saturation Current (A) ※1		Temperature Rise Current (A) ※2
				at 20°C	at 105°C	
CDH11D23HPHF-100M□	100	10 \pm 20%	127 (101)	3.65	3.10	2.30
CDH11D23HPHF-150M□	150	15 \pm 20%	197 (158)	3.00	2.56	1.80
CDH11D23HPHF-180M□	180	18 \pm 20%	214 (171)	2.72	2.32	1.57
CDH11D23HPHF-220M□	220	22 \pm 20%	303 (243)	2.48	2.08	1.36
CDH11D23HPHF-330M□	330	33 \pm 20%	435 (348)	1.96	1.68	1.14
CDH11D23HPHF-470M□	470	47 \pm 20%	658 (526)	1.66	1.42	0.90
CDH11D23HPHF-560M□	560	56 \pm 20%	731 (585)	1.54	1.32	0.80
CDH11D23HPHF-680M□	680	68 \pm 20%	975 (779)	1.38	1.17	0.73
CDH11D23HPHF-820M□	820	82 \pm 20%	1110 (884)	1.26	1.09	0.68
CDH11D23HPHF-101M□	101	100 \pm 20%	1210 (1010)	1.18	0.99	0.64

※ Description of part name

CDH11D23HPHF-100M□

— B Box
 — C Carrier Tape

※1. Saturation current: The DC current at which the inductance decreases to 70% of its nominal value.

 ※2. Temperature rise current: The DC current at which the temperature rise is $\Delta t=40^{\circ}\text{C}$. ($T_a=20^{\circ}\text{C}$)